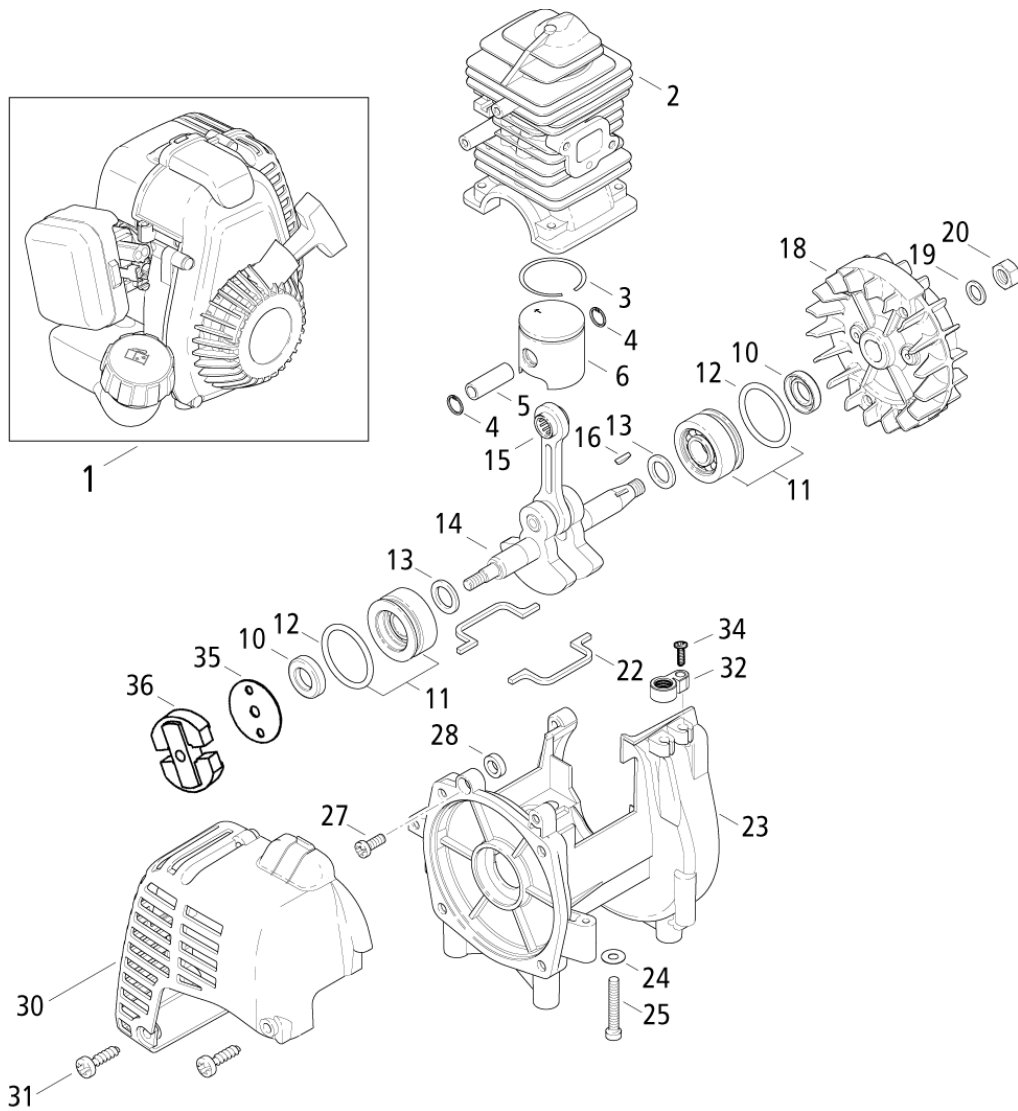
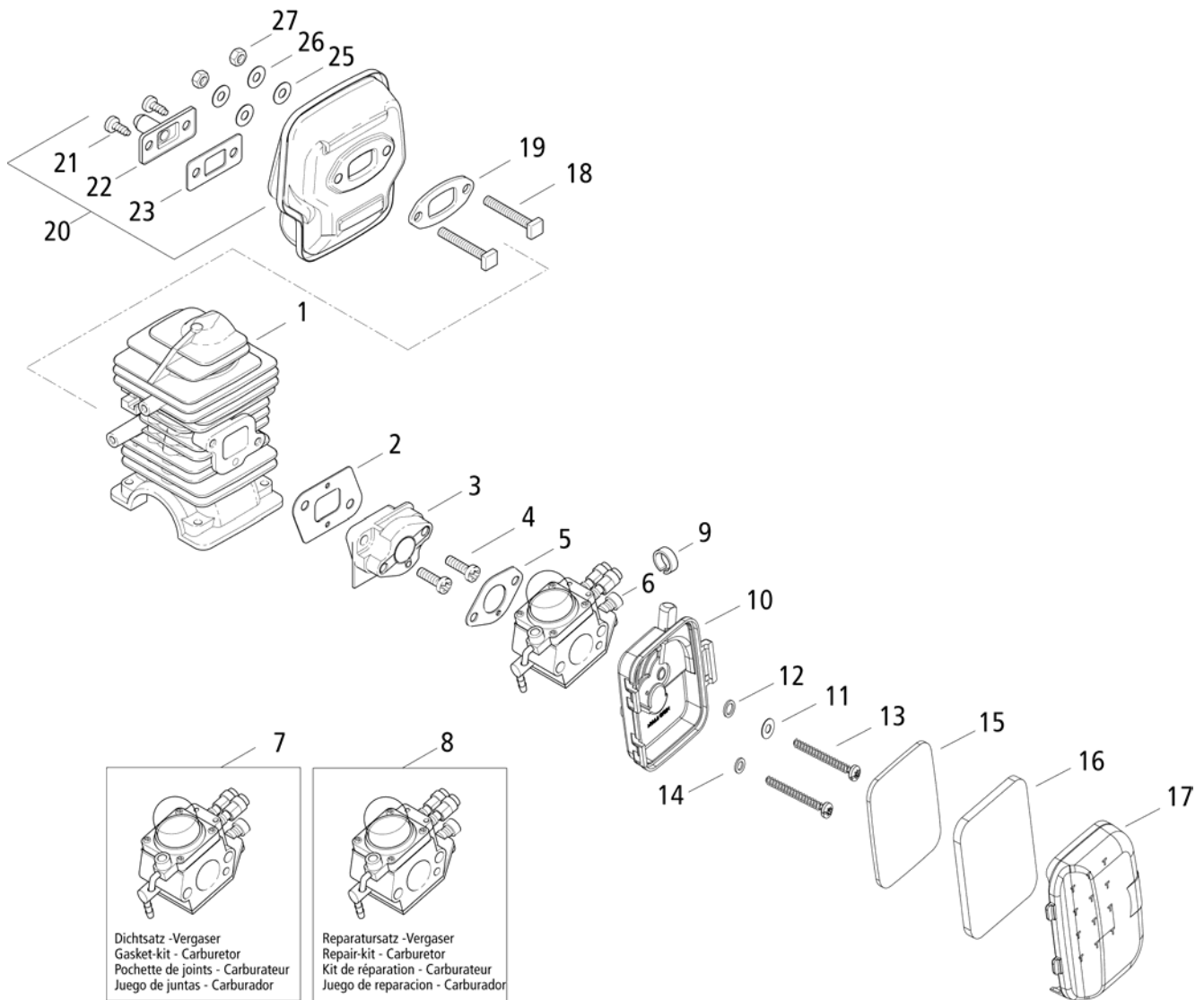


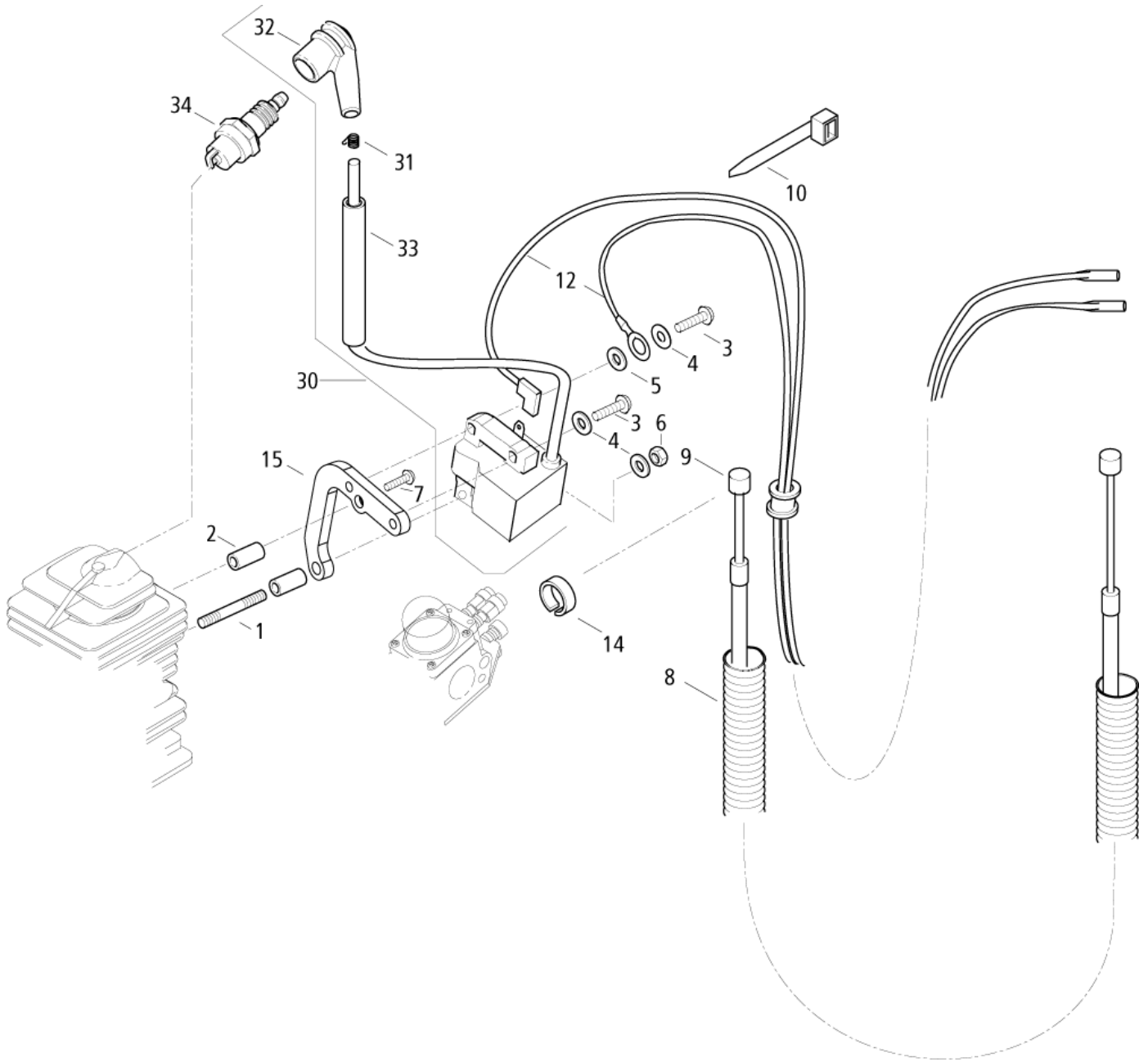
| | | | | | |
|-----------|------------------------------------|--------------------------------|------------|---|--------|
| D | <i>Ersatzteilliste</i> | Motor-Druckspritze | 433 | Inhaltsverzeichnis | Seite |
| | | | | Motor | 2 |
| | | | | Luftfilter, Vergaser, Auspuff | 3 |
| | | | | Zündung und Gaszug | 4 |
| | | | | Benzintank | 5 |
| | | | | Lüfterdeckel, Starter | 6 |
| | | | | Verbindung Kupplung-Pumpe, Gashebel | 7 |
| | | | | Pumpe | 8 |
| | | | | Tragegestell, Behälter, Tragegurt | 10 |
| | | | | Spritzrohr | 11 |
| | | | | Ersatzteile | 12 |
| | | | | Bestell-Richtlinien | 12 |
| GB | <i>Spare parts list</i> | Motor-Sprayer | 433 | Table of contents | Page |
| | | | | Engine | 2 |
| | | | | Air filter, carburetor, exhaust | 3 |
| | | | | Ignition and Throttle Cable | 4 |
| | | | | Fuel tank | 5 |
| | | | | Fan cover, recoil starter | 6 |
| | | | | Combination clutch-pump, throttle lever | 7 |
| | | | | Pump | 8 |
| | | | | Carrying frame, tank, Carrying strap | 10 |
| | | | | Spray wand | 11 |
| | | | | Spare Parts | 12 |
| | | | | Directions for Ordering | 12 |
| F | <i>Liste de pièces de rechange</i> | Pulvérisateur à moteur | 433 | Table des matières | Page |
| | | | | Moteur | 2 |
| | | | | Filtre à air, carburateur, échappement | 3 |
| | | | | Allumage et câble accélérateur | 4 |
| | | | | Réservoir à essence | 5 |
| | | | | Capuchon de ventilateur, lanceur | 6 |
| | | | | Connexion embrayage-pompe, accélérateur | 7 |
| | | | | Pompe | 8 |
| | | | | Cadre porteur, réservoir, bretelle | 10 |
| | | | | Tube de pulvérisation | 11 |
| | | | | Pièces de rechange | 12 |
| | | | | Directives pour les commandes | 12 |
| E | <i>Lista de piezas de recambio</i> | Pulverizador motorizado | 433 | Indice | Página |
| | | | | Motor | 2 |
| | | | | Filtro de aire, carburador, escape | 3 |
| | | | | Encendido y cable bowden | 4 |
| | | | | Deposito | 5 |
| | | | | Cubierta, arranque | 6 |
| | | | | Conexión embrague-bomba, palanca gas | 7 |
| | | | | Bomba | 8 |
| | | | | Bastidor, deposito, cinturon portador | 10 |
| | | | | Tubo | 11 |
| | | | | Piezas de recambio | 12 |
| | | | | Directivas de pedido | 12 |



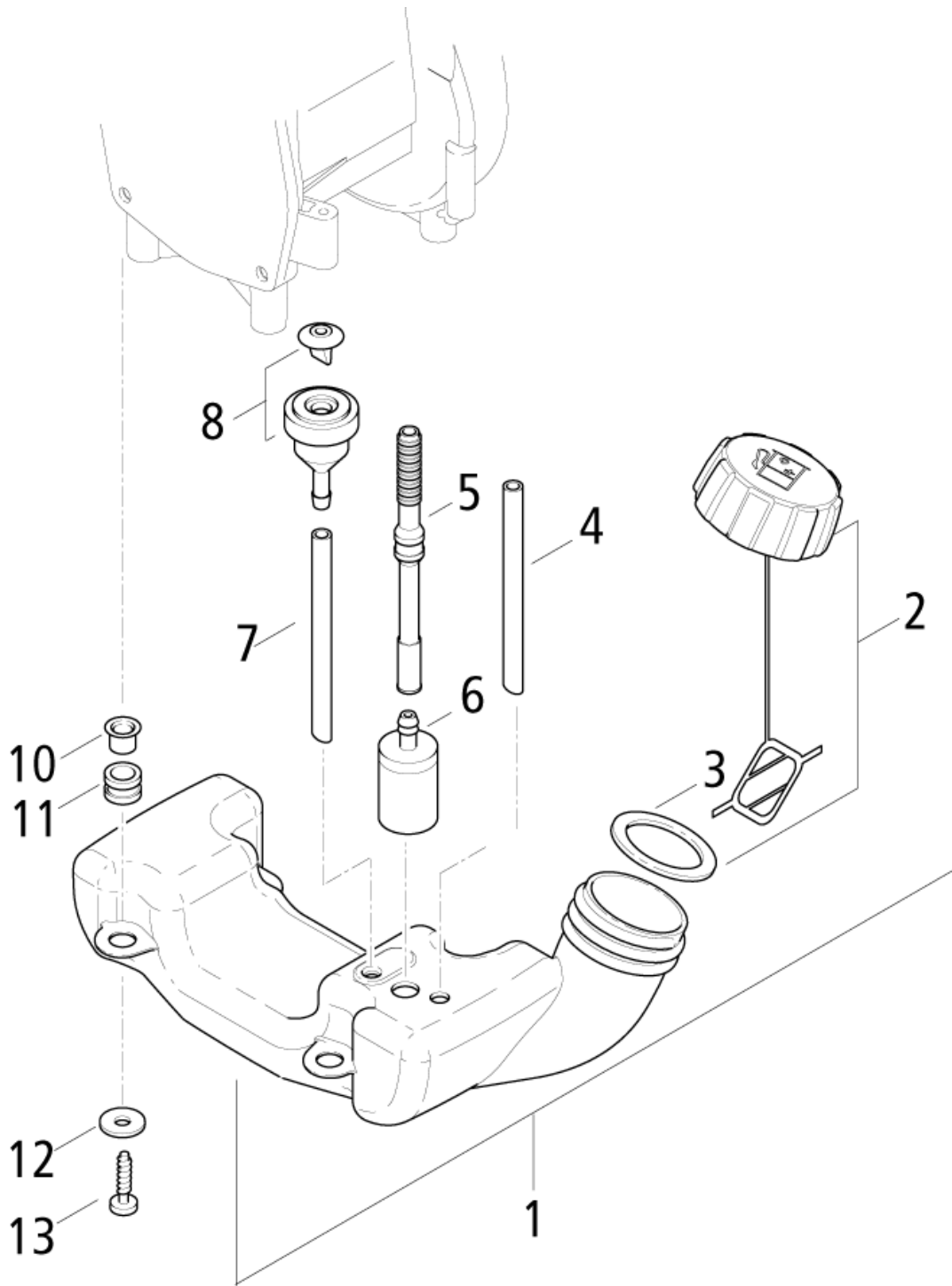
| Bild-Nr. Pos.-No. No.Pos. Pos.-No.. | Bestell-Nr. Order-No. No. de Cde Ref.-Nr. | Menge Quantity Nombres Cantidad | Motor, Kurbelwelle | Engine, crankshaft | Moteur, villebrequin | Motor, cigüenal |
|--|--|--|--|---------------------------------|--------------------------------------|--------------------------------|
| 1 | 20 00 643 | 1 | SOLO 2-Takt-Motor 25 cm ³ | Engine | Moteur 2-temps 25 cm ³ | Motor |
| 2 | 20 11 819 | 1 | Nikasilzylinder Ø 33,00 mm | Cylinder | Cylindre | Cilindro |
| 3 | 20 48 377 | 1 | Kolbenring | Piston ring | Segment de piston | Anillo de piston |
| 4 | 00 55 278 | 2 | Sicherungsring 9x0,8 mm | Circlip | Arrêt axe de piston | Anillo de seguridad |
| 5 | 20 31 902 25 | 1 | Kolbenbolzen 9/6x26 mm | Piston pin | Axe de piston | Perno de embolo |
| 6 | 22 00 490 | 1 | Kolben Ø 35,00 mm | Piston | Piston | Piston |
| 10 | 00 54 258 | 2 | Wellendichtring 12x22x5mm | Oil seal | Joint d'arbre | Reten |
| 11 | 21 00 121 25 | 2 | Lagerhülse 12x34,17x15,5 mm enth. (-> 11, 12) | Sleeve incl. (-> 11, 12) | Douille y inclus: (-> 11, 12) | Casquillo incl. (-> 11, 12) |
| 12 | 00 62 335 | 2 | O-Ring 27x3 mm <-> | O-ring <-> | Joint torique <-> | Anillo <-> |
| 13 | 00 31 258 | 2 | Scheibe 12x18x1,8 mm | Washer | Rondelle | Arandela |
| 14 | 22 00 181 | 1 | Kurbelwelle enth. (-> 14, 15) | Crankshaft incl. (-> 14, 15) | Vilebrequin y inclus: (-> 14, 15) | Cigüenal incl. (-> 14, 15) |
| 15 | 00 52 141 | 1 | Nadelhülse 9x13x12 mm <-> | Needle sleeve <-> | Douille <-> | Casquillo <-> |
| 16 | 00 75 100 | 1 | Scheibenfeder 2x3,7 mm | Spring | Clavette | Resorte |
| 18 | 24 00 311 | 1 | Lüfterrad | Fan wheel | Turbine | Turbina |
| 19 | 00 72 176 | 1 | Scheibe 8,2x20x1 mm | Washer | Rondelle | Arandela |
| 20 | 00 20 206 | 1 | Sechskantmutter M8x1 mm | Hex. nut | Ecrou | Tuerca |
| 22 | 20 63 372 | 2 | Dichtungsteil Kurbelgehäuse | Sealing | Joint carter moteur | Junta |
| 23 | 21 00 122 | 1 | Kurbelgehäuse | Crankcase | Carter moteur | Carter cigüenal |
| 24 | 00 72 140 | 4 | Scheibe 5,2x12x0,5 mm | Washer | Rondelle | Arandela |
| 25 | 00 18 399 | 4 | Zylinderschraube M5x35 mm | F.H. screw | Vis | Tornillo |
| 27 | 00 18 326 | 1 | Zylinderschraube M4x16 mm | F.H. screw | Vis | Tornillo |
| 28 | 20 74 562 | 1 | Isolierelement | Insulating element | Élément d'isolation | Elemento aislante |
| 30 | 40 73 127 | 1 | Abdeckhaube | Cover | Capot | Cubierta |
| 31 | 00 18 274 | 2 | Linsenschraube 5x16 mm | Screw | Vis | Tornillo |
| 32 | 20 74 895 | 1 | Klemme | Clamp | Collier | Abrazadera |
| 34 | 00 18 257 | 1 | Linsenschraube 5x25 mm | Screw | Vis | Tornillo |
| 35 | 00 31 516 | 1 | Scheibe 2x48x1 mm | Washer | Rondelle | Arandela |
| 36 | 35 00 402 | 1 | Kupplung | Clutch | Embrayage | Embrague |



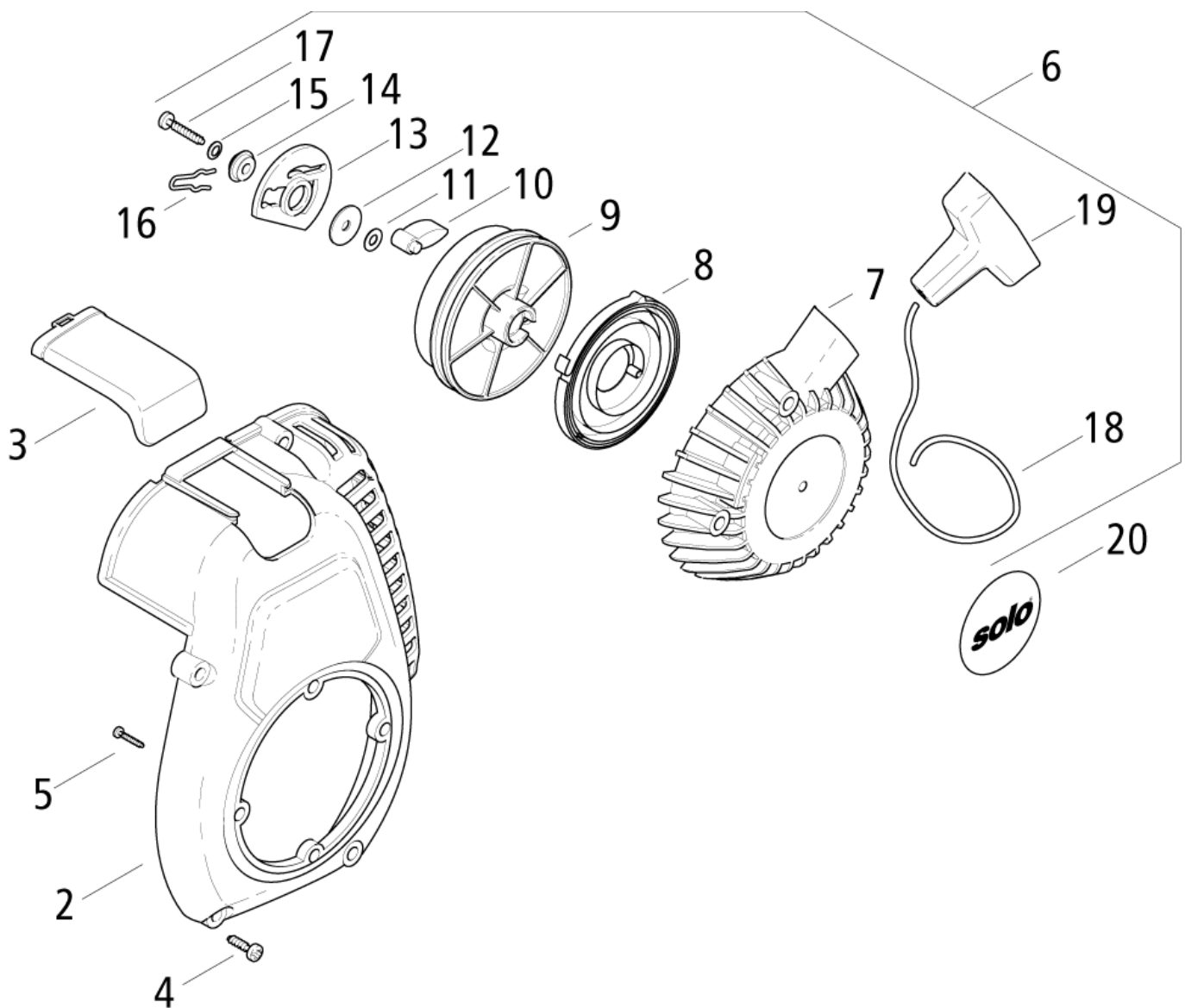
| Bild-Nr. Pos.-No. No.Pos. Pos.-No.. | Bestell-Nr. Order-No. No. de Cde Ref.-Nr. | Menge Quantity Nombres Cantidad | Luftfilter, Vergaser, Auspuff | Air filter, carburetor, exhaust | Filtre à air, carbureteur, échappement | Filtro de aire, carburetor, escape |
|--|--|--|-------------------------------------|---------------------------------------|--|--|
| 1 | 20 11 819 | 1 | Nikasilzylinder Ø 33,00 mm | Cylinder | Cylindre | Cilindro |
| 2 | 20 61 518 | 1 | Vergaserstutzendichtung | Manifold gasket | Joint de bride | Junta de brida |
| 3 | 20 74 111 | 1 | Ansaugstutzen | Socket | Bride d'aspiration | Brida |
| 4 | 00 18 337 | 2 | Zylinderschraube M5x20 mm | F.H. screw | Vis | Tornillo |
| 5 | 20 61 464 | 1 | Vergaserdichtung | Carburetor gasket | Joint de carburateur | Junta carburador |
| 6 | 23 00 726 | 1 | Vergaser mit Primer | Carburetor w.primar | Carburateur | Carburador |
| 7 | 05 10 985 | 1 | Dichtsatz-Vergaser | Gasket kit | Jeu de joints | Juego de juntas |
| 8 | 05 10 984 | 1 | Reparatursatz-Vergaser | Repair kit | Jeu de réparation | Juego rep. |
| 9 | 20 74 905 25 | 1 | Haltering | Ring | Bague de retient | Anillo |
| 10 | 25 00 811 | 1 | Luftfiltergehäuse Unterteil | Filter housing | Carter filtre | Carterde filtro |
| 11 | 00 61 360 | 1 | Scheibe 6,8x10x1,2 mm | Washer | Rondelle | Arandela |
| 12 | 00 72 140 | 1 | Scheibe 5,2x12x0,5 mm | Washer | Rondelle | Arandela |
| 13 | 00 18 429 | 2 | Linsenschraube 5x50 mm | Screw | Vis | Tornillo |
| 14 | 00 34 100 | 1 | Sicherungsscheibe | Safety washer | Rondelle de sécurité | Arandela seguridad |
| 15 | 20 48 396 | 1 | Filterplatte | Filterplate | Plaque filtre | Chapa filtro |
| 16 | 20 48 398 | 1 | Filterschaumplatte | Filterfoamplate | Plaque filtre | Chapa filtro |
| 17 | 40 73 442 | 1 | Luftfiltergehäuse Oberteil bedruckt | Filter lid | Chapeau filtre | Tapa de filtro |
| 18 | 00 18 365 | 2 | Vierkantschraube M5x40 mm | Square nut | Ecrou | Tuerca |
| 19 | 20 61 197 | 1 | Auspuffdichtung | Exhaust gasket | Joint d'échappement | Junta escape |
| 20 | 25 00 104 | 1 | Auspuff enth. (-> 20 - 23 | Exhaust incl. (-> 20 - 23 | Echappement y inclus (-> 20 - 23 | Escape incl. (-> 20 - 23 |
| 21 | 00 13 229 | 2 | Linsenschraube 5x55 mm | Screw | Vis | Tornillo |
| 22 | 25 00 654 | 1 | Austrittsblech | Plate | Tôle de sortie | Chapa |
| 23 | 20 61 142 | 1 | Dichtung <-) | Gasket <-) | Joint <-) | Junta <-) |
| 25 | 00 72 144 | 2 | Sicherungsscheibe | Safety washer | Rondelle de sécurité | Arandela seguridad |
| 26 | 00 72 140 | 2 | Scheibe 5,2x12x0,5 mm | Washer | Rondelle | Arandela |
| 27 | 00 28 137 | 2 | Sechskantmutter M5 | Hex. nut | Ecrou | Tuerca |



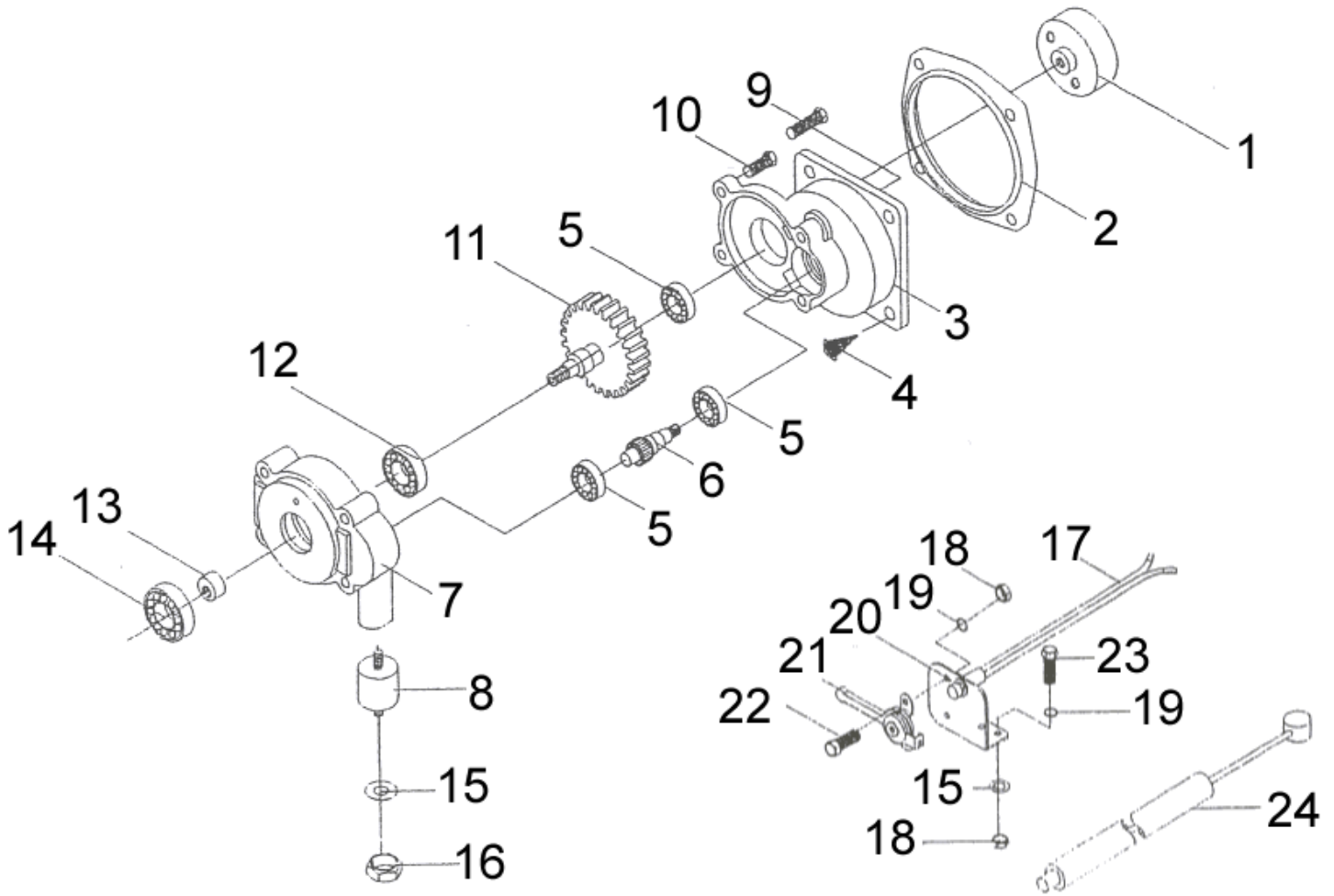
| Bild-Nr. Pos.-No. No.Pos. Pos.-No. | Bestell-Nr. Order-No. No. de Cde Ref.-Nr. | Menge Quantity Nombres Cantidad | Zündung und Gaszug | Ignition and throttle cable | Allumage et câble accélérateur | Encendido y cable bowden |
|---|--|--|---------------------------------|-------------------------------------|--|------------------------------|
| 1 | 00 15 299 | 1 | Stiftschraube M4x35 mm | Stud screw | Goujon | Tornillo |
| 2 | 00 33 404 | 2 | Hülse 8x4,4x13 mm | Sleeve | Douille | Casquillo |
| 3 | 00 18 280 | 2 | Zylinderschraube M4x12 mm | Screw | Vis | Tornillo |
| 4 | 00 72 148 | 3 | Sicherungsscheibe | Safety washer | Rondelle | Arandela |
| 5 | 00 30 101 | 1 | Scheibe 4,3 mm | Washer | Rondelle | Arandela |
| 6 | 00 28 118 | 1 | Sechskantmutter M4 | Hex. nut | Ecrou | Tuerca |
| 7 | 00 13 284 | 1 | Linsenschraube 4x25 mm | Screw | Vis | Tornillo |
| 8 | 00 64 415 27 | 410 mm | Schlauch 8,5 mm | Hose | Tuyau | Tubo |
| 9 | 28 00 578 | 1 | Bowdenzug Gas | Throttle cable | Câble des gaz | Cable bowden |
| 10 | 00 66 455 | 1 | Kabelband 98x2,5mm, Natur | Cable band | Frein de câble | Cinta |
| 12 | 00 84 889 | 1 | Kabel Masse/Kurzschluss. | Ground cable | Câble de masse | Cable de masa |
| 14 | 20 74 905 25 | 1 | Haltering | Ring | Bague de retient | Anillo |
| 15 | 20 42 883 | 1 | Befestigungswinkel | Angle | Manchon d'angle | Angulo |
| 30 | 23 00 831 | 1 | Zündmodul enth. (-> 30 - 33) | Ignition coil incl. (-> 30 - 33) | Volant électronique y inclus (-> 30 - 33) | Bobina incl. (-> 30 - 33) |
| 31 | 00 73 347 | 1 | Kontaktfeder | Contact spring | Ressort de contact | Resorte |
| 32 | 00 84 621 | 1 | Zündkerzenstecker | Spark plug cover | Capuchon de bougie | Tapa de bujia |
| 33 | 00 64 292 | 95 mm | Schlauch <-) | Hose <-) | Tuyau <-) | Tubo <-) |
| 34 | 23 00 730 | 1 | Zündkerze WSR6F 200 | Spark plug | Bougie | Bujia |



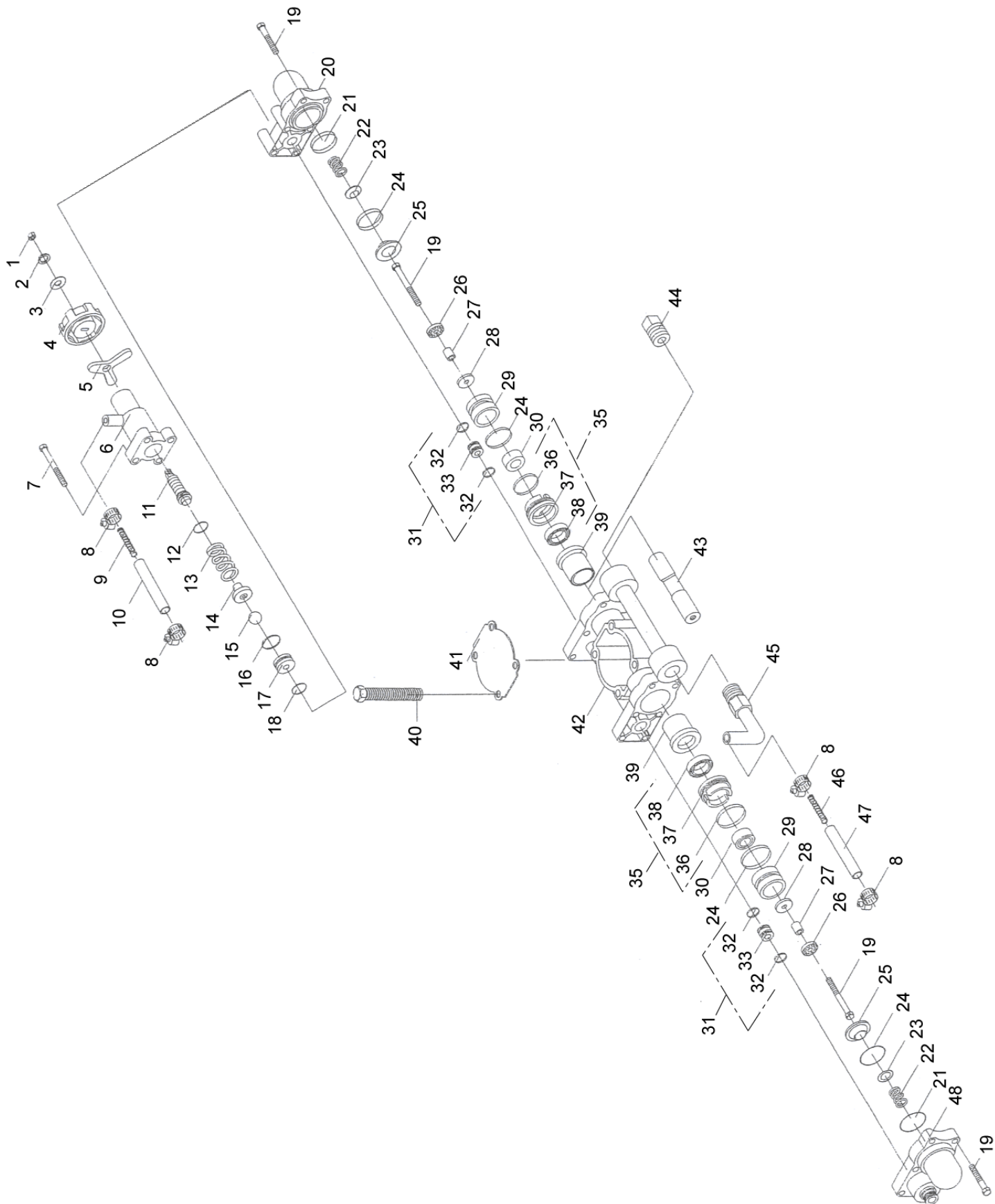
| Bild-Nr. Pos.-No. Pos.-No. | Bestell-Nr. Order-No. No. de Cde Ref.-Nr. | Menge Quantity Nombres Cantidad | Benzintank | Fuel tank | Réservoir à essence | Deposito |
|----------------------------------|--|--|------------------------------------|------------------------------|---|---------------------------------------|
| 1 | 27 00 104 | 1 | Benzintank enth. (-> 1-11) | Fuel tank incl. (-> 1-11) | Réservoir à essence y inclus: (-> 1-11) | Deposito incl. (-> 1-11) |
| 2 | 27 00 187 | 1 | Tankverschluss enth. (-> 2, 3) | Tank lid incl. (-> 2, 3) | Bouchon de réservoir y inclus: (-> 2, 3) | Cierre de deposito incl. (-> 2, 3) |
| 3 | 00 61 330 | 1 | Dichtung 30,5x40,8x2 mm <-) | Gasket <-) | Joint <-) | Junta <-) |
| 4 | 00 64 419 | 1 | Schlauch 3x1,5x85mm Primerrücklauf | Hose | Tuyau | Tubo |
| 5 | 40 63 253 | 1 | Schlauch 3x103 mm Kraftstoff | Fuel hose | Tuyau | Tubo |
| 6 | 27 00 416 | 1 | Filter Benzinsucher | Fuel pick-up | Crépine d'essence | Filtro |
| 7 | 00 64 419 | 1 | Schlauch 3x1,5x85 mm Entlüftung | Ventilation hose | Tuyau d'aération | Tubo |
| 8 | 27 00 430 | 1 | Entlüftungsstutzen | Ventilation socket | Manchon d'aération | Munon |
| 10 | 00 44 285 | 4 | Rohrnieten 8x0,75x7 mm | Rivet | Rivet | Remache |
| 11 | 00 94 197 | 4 | Dämpfungsgummi <-) | AV element <-) | Amortisseur <-) | Elemento AV <-) |
| 12 | 00 30 102 | 4 | Scheibe 5,3 mm | Washer | Rondelle | Arandela |
| 13 | 00 18 363 | 4 | Linsenschraube 5x20 mm | Screw | Vis | Tornillo |



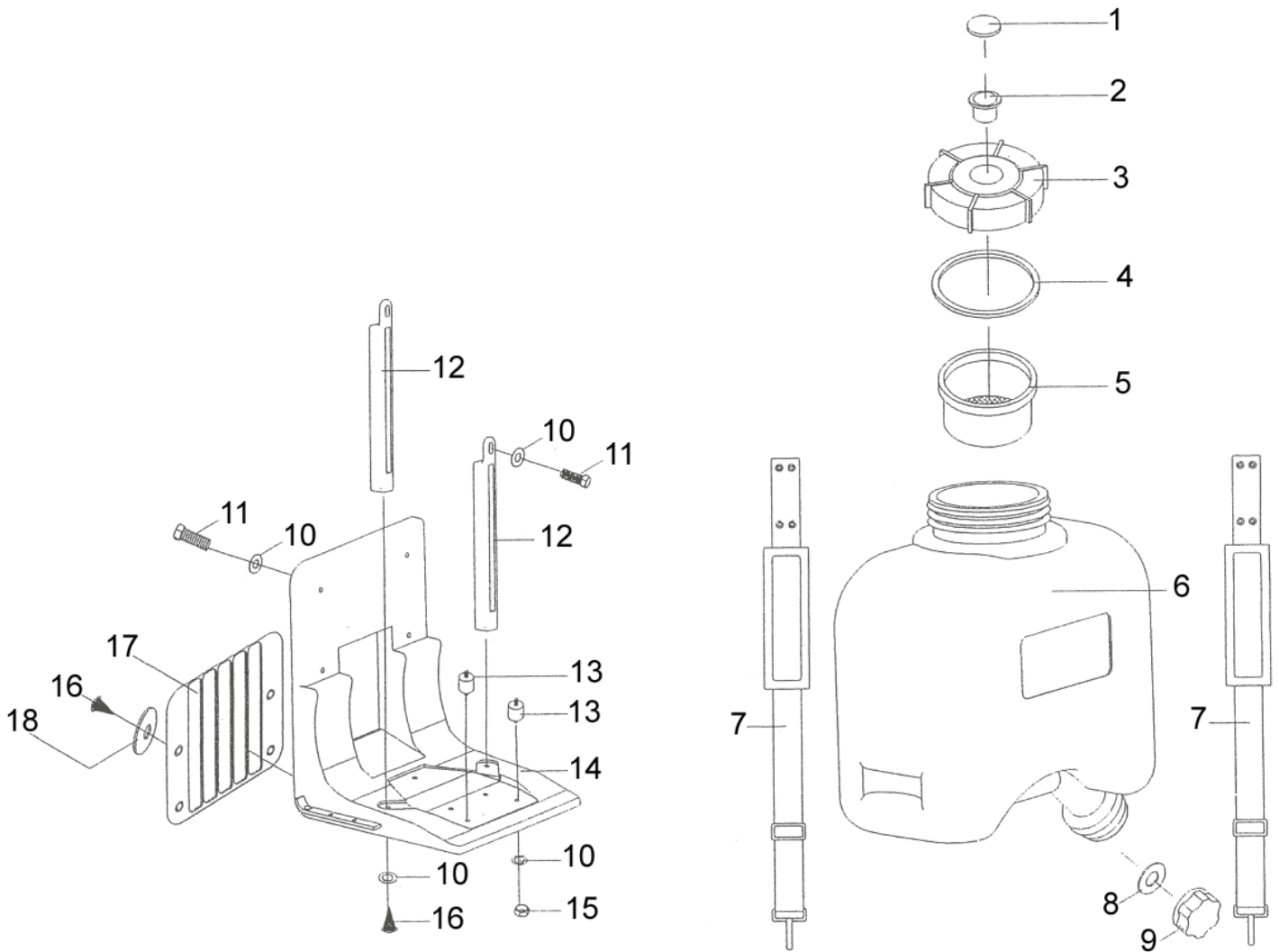
| Bild-Nr. Pos.-No. Pos.-No. | Bestell-Nr. Order-No. No. de Cde Ref.-Nr. | Menge Quantity Nombres Cantidad | Lüfterdeckel, Starter | Fan cover, recoil starter | Capuchon de ventilateur, lanceur | Cubierta, arranque |
|----------------------------------|--|--|--------------------------------------|------------------------------|--|-----------------------------|
| 2 | 40 73 131 | 1 | Lüfterdeckel ohne Starter | Fan cover w/o starter | Capuchon sans carter lanceur | Cubierta sin arranque |
| 3 | 40 73 128 | 1 | Zündkerzenabdeckung | Spark plug cover | Capuchon de bougie | Tapa de bujia |
| 4 | 00 18 363 | 6 | Linsenschraube 5x20 mm | Screw | Vis | Tornillo |
| 5 | 00 18 354 | 4 | Linsenschraube 4x12 mm | Screw | Vis | Tornillo |
| 6 | 26 00 140 | 1 | Starter-Universal enth. (-> 6-19) | Starter incl. (-> 6-19) | Lanceur y inclus: (-> 6-19) | Arranque incl. (-> 6-19) |
| 7 | 21 00 126 | 1 | Startergehäuse | Starter housing | Carter lanceur | Caja de arranque |
| 8 | 26 00 284 | 1 | Federkassette | Spring cassette | Cassette de ressort | Cassette |
| 9 | 20 74 915 | 1 | Seilrolle | Rope pulley | Poulie de câble | Roldana |
| 10 | 20 74 343 | 1 | Starterklinke | Pawl | Cliquet de lanceur | Trinquete |
| 11 | 00 34 126 | 1 | Federscheibe | Washer | Rondelle de ressort | Arandela |
| 12 | 00 31 611 | 1 | Scheibe 4,3x15x1mm | Washer | Rondelle | Arandela |
| 13 | 20 74 977 | 1 | Kulisse rot | Template | Coulisse | Colisa |
| 14 | 20 31 965 | 1 | Distanzstück 4,3x12,5x5 mm | Spacer | Pièce d'écartement | Espaciador |
| 15 | 00 34 152 | 1 | Sicherungsscheibe | Safety washer | Rondelle de sécurité | Arandela |
| 16 | 00 73 365 | 1 | Federstecker | Pin | Goupille beta | Clavija |
| 17 | 00 10 519 | 1 | Zylinderblechschraube. 3,5x22 mm | Screw | Vis | Tornillo |
| 18 | 00 63 195 25 | 1 | Starterseil 3x1050 mm | Starter rope | Câble lanceur | Cuerda de arranque |
| 19 | 20 74 570 | 1 | Startergriff <-) | Starter grip <-) | Poignée lanceur <-) | Empunadura <-) |
| 20 | 00 69 890 | 1 | Sks. Solo | Decal | Autocollant Solo | Adhesivo |



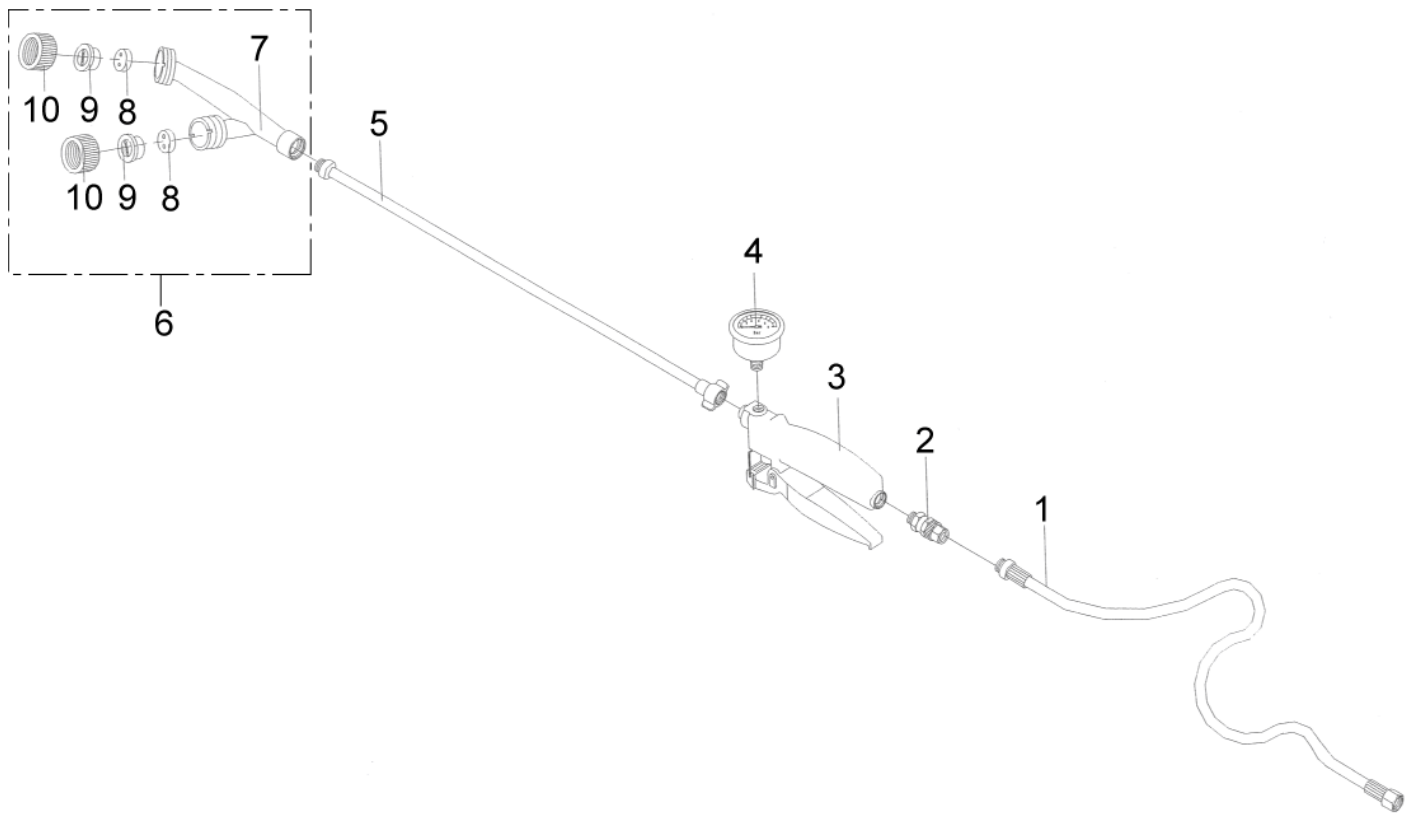
| Bild-Nr. Pos.-No. Pos.-No. | Bestell-Nr. Order-No. No. de Cde Ref.-Nr. | Menge Quantity Nombres Cantidad | Adaption Kupplung-Pumpe, Gashebel | Combination clutch-pump, Throttle lever | Connexion embrayage-pompe, accélérateur | Conexión embrague- bomba, palanca gas |
|----------------------------------|--|--|---|---|---|--|
| 1 | 76 433 039 | 1 | Kupplungsglocke | Clutch drum | Cloche embrayage | Campana de embrague |
| 2 | 76 433 030 | 1 | Flansch | Flange | Bride | Brida |
| 3 | 76 916 026 | 1 | Getriebe | Gear box | Engrenage | Engranaje |
| 4 | 76 959 230 | 4 | Schraube | Screw | Vis | Tornillo |
| 5 | 76 959 035 | 3 | Kugellager | Bearing(6000) | Roulement a billes | Cojinete de bolas |
| 6 | 76 959 031 | 1 | Getriebewelle | Shaft of smaller gear | Arbre de transmission | Arbol |
| 7 | 76 959 027 | 1 | Deckel, Getriebe | Gear box cover | Couvercle | Tapa |
| 8 | 06 926 018 | 1 | Stopfen | Shake-proof Plug (27L) | Bouchon | Tapon |
| 9 | 76 959 205 | 2 | Schraube | Screw M6 x 22L | Vis | Tornillo |
| 10 | 76 959 204 | 2 | Schraube | Screw M6 x 16L | Vis | Tornillo |
| 11 | 76 959 028 | 1 | Getriebewelle | Shaft of bigger gear | Arbre de transmission | Arbol |
| 12 | 76 959 034 | 1 | Kugellager | Bearing(6001) | Roulement a billes | Cojinete de bolas |
| 13 | 76 959 037 | 1 | Welle | Shaft, eccentric | Arbre | Arbol |
| 14 | 76 959 033 | 1 | Kugellager | Bearing(6004) | Roulement a billes | Cojinete de bolas |
| 15 | 76 959 217 | 3 | Scheibe | Washer M6 x 16 | Rondelle | Arandela |
| 16 | 76 959 215 | 1 | Mutter | Anti-loose nut m6 | Ecrou | Tuerca |
| 17 | 76 926 016 | 1 | Schalter Stop | Stop switch | Interrupteur | Interruptor |
| 18 | 76 959 214 | 4 | Mutter | Nut | Ecrou | Tuerca |
| 19 | 76 959 216 | 4 | Federscheibe | Spring washer | Rondelle | Arandela |
| 20 | 76 926 014 | 1 | Hebelaufnahme | Lever seat | Siege de levier | Asiento |
| 21 | 06 926 014 | 1 | Hebel | Lever | Levier | Palanca |
| 22 | 76 959 210 | 2 | Schraube | Screw | Vis | Tornillo |
| 23 | 76 959 211 | 2 | Schraube | Screw M6 x 16L | Vis | Tornillo |
| 24 | 28 00 578 | 1 | Gaszug | Throttle cable | Cable Bowden | Cable Bowden |



| Bild-Nr. Pos.-No. Pos.-No. | Bestell-Nr. Order-No. No. de Cde Ref.-Nr. | Menge Quantity Nombres Cantidad | Pumpe | Pump | Pompe | Bomba |
|----------------------------------|--|--|--------------------------------|---|-------------------------------------|-------------------------------|
| 1 | 76 959 214 | 1 | Mutter | Nut | Ecrou | Tuerca |
| 2 | 76 959 216 | 1 | Federscheibe | Spring washer | Rondelle | Arandela |
| 3 | 76 959 217 | 1 | Scheibe | Washer M6 x 16 mm | Rondelle | Arandela |
| 4 | 76 959 066 | 1 | Justierdeckel | Adjusting pan | Couvercle | Tapa |
| 5 | 76 959 067 | 1 | Mutter, ÜW | Fly nut | Ecrou | Tuerca |
| 6 | 76 959 057 | 1 | Flanschgehäuse | Overflow body | Carter | Carter |
| 7 | 76 959 203 | 4 | Schraube | Screw M5 x 50 mm | Vis | Tornillo |
| 8 | 76 926 024 | 4 | Schlauchschelle | 5/8 Clamp hose | Collier | Abrazadera |
| 9 | 76 959 025 | 1 | Feder | Spring overflow | Ressort | Resorte |
| 10 | 76 959 024 | 1 | Schlauch | Overflow hose | Tube | Tubo |
| 11 | 76 959 065 | 1 | Verstellschraube | Regulating screw | Vis réglable | Tornillo |
| 12 | 76 959 064 | 1 | O-Ring | O-ring 9 x 2 mm | Joint torique | Anillo |
| 13 | 76 959 062 | 1 | Feder | Spring | Ressort | Resorte |
| 14 | 76 959 061 | 1 | Scheibe | Under metal | Rondelle | Arandela |
| 15 | 76 959 060 | 1 | Kugel | Stainless ball | Boule | Bola |
| 16 | 76 959 058 | 1 | O-Ring | O-ring 13 x 2,5 | Joint torique | Anillo |
| 17 | 76 959 059 | 1 | Sitz | Seat, overflow valve | Siege | Asiento |
| 18 | 76 959 077 | 1 | O-Ring | O-ring 10 x 3 mm | Joint torique | Anillo |
| 19 | 76 959 228 | 14 | Schraube | Screw M5 x 28 mm | Vis | Tornillo |
| 20 | 76 959 049 | 1 | Abdeckung | Overflow metal | Couvercle | Tapa |
| 21 | 76 959 094 | 2 | O-Ring | O-ring 30 x 2,5 mm | Joint torique | Anillo |
| 22 | 76 959 044 | 2 | Ventilfeder | Spring valve | Ressort | Resorte |
| 23 | 76 959 042 | 2 | Stopfen | Stopper | Bouchon | Tapon |
| 24 | 76 959 040 | 4 | O-Ring | O-ring 22 x 2 mm | Joint torique | Anillo |
| 25 | 76 959 041 | 2 | Ventilsitz | Valve seat | Siege de soupape | Asiento de valvula |
| 26 | 76 959 088 | 2 | Dichtung | Water seal box (hole) | Joint | Junta |
| 27 | 76 959 045 | 2 | Buchse | Tube, screw bush | Douille | Casquillo |
| 28 | 76 959 087 | 2 | Dichtung | Water seal box | Joint | Junta |
| 29 | 76 959 051 | 2 | Buchse, Zyl. | Cylinder bushing | Douille, Cyl. | Casquillo |
| 30 | 76 959 093 | 2 | Hochdrucksitz | High pressure water seal | Siege | Asiento |
| 31 | 76 959 4560 | 2 | Anschluss enth. (-> 31 - 33 | Connecting pipe assy incl. (-> 31 - 33 | Connection y inclus: (-> 31 - 33 | Conexion incl. (-> 31 - 33 |
| 32 | 76 959 076 | 4 | O-Ring | O-ring 8 x 2 mm | Joint torique | Anillo |
| 33 | 76 959 056 | 2 | Anschlussrohr<-) | Connecting pipe<-) | Tube de connection<-) | Tubo 66 <-) |
| 35 | 76 959 4950 | 2 | Sitz enth. (-> 35 - 38 | Water seal seat assy incl. (-> 35 - 38 | Siege y inclus: (-> 35 - 38 | Asiento incl. (-> 35 - 38 |
| 36 | 76 959 096 | 2 | O-Ring | O-ring 24,5 x 2 mm | Joint torique | Anillo |
| 37 | 76 959 095 | 2 | Sitz | Seat, water seal | Siege | Asiento |
| 38 | 76 959 092 | 2 | Dichtung<-) | Water seal <-) | Joint<-) | Junta <-) |
| 39 | 76 959 048 | 2 | Buchse | Plunger bushing | Douille | Casquillo |
| 40 | 76 959 206 | 4 | Schraube | Screw M6 x 50 mm | Vis | Tornillo |
| 41 | 76 959 047 | 1 | Abdeckung | Cover, anti-dust | Couvercle | Cubierta |
| 42 | 76 959 046 | 1 | Zylinder | Cylinder | Cylindre | Cilindro |
| 43 | 76 959 052 | 1 | Stößel | Plunger | Poussoir | Aguja |
| 44 | 76 959 054 | 1 | Stopfen | Plug | Bouchon | Tapon |
| 45 | 76 959 053 | 1 | Ansaugschlauch | Suction joint | Tube | Tubo |
| 46 | 76 959 023 | 1 | Feder | Suction spring | Ressort | Resorte |
| 47 | 76 959 022 | 1 | Ansaugschlauch | Suction hose | Tube | Tubo |
| 48 | 76 959 050 | 1 | Abdeckung | Discharge metal | Couvercle | Tapa |



| Bild-Nr. Pos.-No. Pos.-No. Pos.-No. | Bestell-Nr. Order-No. No. de Cde Ref.-Nr. | Menge Quantity Nombres Cantidad | Tragegestell, Behälter, Tragegurt | Carrying frame, tank, Carrying strap | Cadre porteur, réservoir, bretelle | Bastidor, deposito, cinturon portador |
|--|--|--|--------------------------------------|--|--|--|
| 1 | 76 926 004 | 1 | Scheibe | Washer | Rondelle | Arandela |
| 2 | 76 926 003 | 1 | Schutzkappe | Cowl | Capuchon | Caperuza |
| 3 | 76 926 002 | 1 | Tankdeckel | Tank hood | Couvercle réservoir | Tapa de deposito |
| 4 | 76 926 005 | 1 | Dichtung Tankdeckel | Seal, tank hood | Joint | Junta |
| 5 | 76 926 006 | 1 | Einfüllkorb | Sieve filling | Etonnoir | Cesta de relleno |
| 6 | 76 968 001 | 1 | Behälter | Water tank | Réservoir | Deposito |
| 7 | 76 926 009 | 2 | Tragegurt | Back belt | Bretelle | Cinturon portador |
| 8 | 76 926 008 | 1 | Dichtung | Gasket, plug drain | Joint | Junta |
| 9 | 76 926 007 | 1 | Verschlussstopfen | Drain cup | Bouchon | Tapon |
| 10 | 76 959 217 | 14 | Scheibe | Washer M6 x 16 | Rondelle | Arandela |
| 11 | 76 959 211 | 6 | Schraube | Screw M6 x 16L | Vis | Tornillo |
| 12 | 76 968 012 | 2 | Strebe | Bracket | Tirant | Tirante |
| 13 | 76 926 018 | 2 | Stopfen | Shake-proof plug (20L) | Bouchon | Tapon |
| 14 | 76 968 011 | 1 | Rückenplatte | Chair seat | Plaque | Chapa |
| 15 | 76 959 215 | 2 | Mutter | Anti-loose nut M6 | Ecrou | Tuerca |
| 16 | 76 959 219 | 6 | Schraube | Screw | Vis | Tornillo |
| 17 | 76 926 025 | 1 | Rückenkissen | Pad cushion | Coussin dorsal | Almohadilla |
| 18 | 76 959 224 | 4 | Dichtung | Washer | Joint | Junta |



| Bild-Nr. Pos.-No. Pos.-No. Pos.-No. | Bestell-Nr. Order-No. No. de Cde Ref.-Nr. | Menge Quantity Nombres Cantidad | Spritzrohr | Spray wand | Tube de pulvérisation | Tubo |
|--|--|--|---------------------------------|--|--------------------------------------|----------------------------------|
| 1 | 76 926 068 | 1 | Hochdruckschlauch | High pressure spraying Hose | Tube haute pression | Tubo alto presion |
| 2 | 76 926 085 | 1 | Schlauchverbindung | Twirl Joint | Connection | Conexion |
| 3 | 76 433 069 | 1 | Griff | Handle grip | Poignee | Empunadura |
| 4 | 76 433 054 | 1 | Manometer | Pressure Gauge | Manometre | Manometro |
| 5 | 76 433 070 | 1 | Spritzrohr | Spraying pipe | Tuyau pulverisateur | Tubo pulverizacion |
| 6 | 76 926 089 | 1 | Doppeldüse enth. (-> 6 - 10) | Y-shape Nozzle Assembly incl. (-> 6 - 10) | Buse double y inclus: (-> 6 - 10) | Tobera doble incl. (->6 - 10) |
| 7 | 76 1200506 | 1 | Doppeldüse | Y-shape Nozzle body | Buse double | Tobera doble |
| 8 | 76 1200502 | 2 | Düsenfilter | Nozzle filter with Gasket | Filtre de buse | Filtro de tobera |
| 9 | 76 1200503 | 2 | Düsenplatte | Nozzle plate | Plaque de buse | Placa de tobera |
| 10 | 76 1200505 | 2 | Mutter, ÜW<-) | Cover Nozzle plate <-) | Ecrou <-) | Tobera doble <-) |

| Bestell-Nr. Order-No. No. de Cde Ref.-Nr. | Menge Quantity Nombres Cantidad | Seite Page Page Pagina |
|--|--|---------------------------------|
| 00 10 519 | 1 | 6 |
| 00 13 229 | 2 | 3 |
| 00 13 284 | 1 | 4 |
| 00 15 299 | 1 | 4 |
| 00 18 257 | 1 | 2 |
| 00 18 274 | 2 | 2 |
| 00 18 280 | 2 | 4 |
| 00 18 326 | 1 | 2 |
| 00 18 337 | 2 | 3 |
| 00 18 354 | 4 | 6 |
| 00 18 363 | 4 | 5 |
| 00 18 363 | 6 | 6 |
| 00 18 365 | 2 | 3 |
| 00 18 399 | 4 | 2 |
| 00 18 429 | 2 | 3 |
| 00 20 206 | 1 | 2 |
| 00 28 118 | 1 | 4 |
| 00 28 137 | 2 | 3 |
| 00 30 101 | 1 | 4 |
| 00 30 102 | 4 | 5 |
| 00 31 258 | 2 | 2 |
| 00 31 516 | 1 | 2 |
| 00 31 611 | 1 | 6 |
| 00 33 404 | 2 | 4 |
| 00 34 100 | 1 | 3 |
| 00 34 126 | 1 | 6 |
| 00 34 152 | 1 | 6 |
| 00 44 285 | 4 | 5 |
| 00 52 141 | 1 | 2 |
| 00 54 258 | 2 | 2 |
| 00 55 278 | 2 | 2 |
| 00 61 330 | 1 | 5 |
| 00 61 360 | 1 | 3 |
| 00 62 335 | 2 | 2 |
| 00 63 195 25 | 1 | 6 |
| 00 64 292 | 95 mm | 4 |
| 00 64 415 27 | 410 mm | 4 |
| 00 64 419 | 1 | 5 |
| 00 64 419 | 1 | 5 |
| 00 66 455 | 1 | 4 |
| 00 69 890 | 1 | 6 |
| 00 72 140 | 4 | 2 |
| 00 72 140 | 1 | 3 |
| 00 72 140 | 2 | 3 |
| 00 72 144 | 2 | 3 |
| 00 72 148 | 3 | 4 |
| 00 72 176 | 1 | 2 |
| 00 73 347 | 1 | 4 |
| 00 73 365 | 1 | 6 |
| 00 75 100 | 1 | 2 |

| Bestell-Nr. Order-No. No. de Cde Ref.-Nr. | Menge Quantity Nombres Cantidad | Seite Page Page Pagina |
|--|--|---------------------------------|
| 00 84 621 | 1 | 4 |
| 00 84 889 | 1 | 4 |
| 00 94 197 | 4 | 5 |
| 05 10 984 | 1 | 3 |
| 05 10 985 | 1 | 3 |
| 06 926 014 | 1 | 7 |
| 06 926 018 | 1 | 7 |
| 20 00 643 | 1 | 2 |
| 20 11 819 | 1 | 2 ; 3 |
| 20 31 902 25 | 1 | 2 |
| 20 31 965 | 1 | 6 |
| 20 42 883 | 1 | 4 |
| 20 48 377 | 1 | 2 |
| 20 48 396 | 1 | 3 |
| 20 48 398 | 1 | 3 |
| 20 61 142 | 1 | 3 |
| 20 61 197 | 1 | 3 |
| 20 61 464 | 1 | 3 |
| 20 61 518 | 1 | 3 |
| 20 63 372 | 2 | 2 |
| 20 74 111 | 1 | 3 |
| 20 74 343 | 1 | 6 |
| 20 74 562 | 1 | 2 |
| 20 74 570 | 1 | 6 |
| 20 74 895 | 1 | 2 |
| 20 74 905 25 | 1 | 3 ; 4 |
| 20 74 915 | 1 | 6 |
| 20 74 977 | 1 | 6 |
| 21 00 121 25 | 2 | 2 |
| 21 00 122 | 1 | 2 |
| 21 00 126 | 1 | 6 |
| 22 00 181 | 1 | 2 |
| 22 00 490 | 1 | 2 |
| 23 00 726 | 1 | 3 |
| 23 00 730 | 1 | 4 |
| 23 00 831 | 1 | 4 |
| 24 00 311 | 1 | 2 |
| 25 00 104 | 1 | 3 |
| 25 00 654 | 1 | 3 |
| 25 00 811 | 1 | 3 |
| 26 00 140 | 1 | 6 |
| 26 00 284 | 1 | 6 |
| 27 00 104 | 1 | 5 |
| 27 00 187 | 1 | 5 |
| 27 00 416 | 1 | 5 |
| 27 00 430 | 1 | 5 |
| 28 00 578 | 1 | 4 |
| 35 00 402 | 1 | 2 |
| 40 63 253 | 1 | 5 |
| 40 73 127 | 1 | 2 |

| Bestell-Nr. Order-No. No. de Cde Ref.-Nr. | Menge Quantity Nombres Cantidad | Seite Page Page Pagina |
|--|--|---------------------------------|
| 40 73 128 | 1 | 6 |
| 40 73 131 | 1 | 6 |
| 40 73 442 | 1 | 3 |
| 76 1200502 | 2 | 11 |
| 76 1200503 | 2 | 11 |
| 76 1200505 | 2 | 11 |
| 76 1200506 | 1 | 11 |
| 76 433 030 | 1 | 7 |
| 76 433 039 | 1 | 7 |
| 76 433 054 | 1 | 11 |
| 76 433 069 | 1 | 11 |
| 76 433 070 | 1 | 11 |
| 76 916 026 | 1 | 7 |
| 76 926 002 | 1 | 10 |
| 76 926 003 | 1 | 10 |
| 76 926 004 | 1 | 10 |
| 76 926 005 | 1 | 10 |
| 76 926 006 | 1 | 10 |
| 76 926 007 | 1 | 10 |
| 76 926 008 | 1 | 10 |
| 76 926 009 | 2 | 10 |
| 76 926 014 | 1 | 7 |
| 76 926 016 | 1 | 7 |
| 76 926 018 | 2 | 10 |
| 76 926 024 | 4 | 8 |
| 76 926 025 | 1 | 10 |
| 76 926 068 | 1 | 11 |
| 76 926 085 | 1 | 11 |
| 76 926 089 | 1 | 11 |
| 76 959 022 | 1 | 8 |
| 76 959 023 | 1 | 8 |
| 76 959 024 | 1 | 8 |
| 76 959 025 | 1 | 8 |
| 76 959 027 | 1 | 7 |
| 76 959 028 | 1 | 7 |
| 76 959 031 | 1 | 7 |
| 76 959 033 | 1 | 7 |
| 76 959 034 | 1 | 7 |
| 76 959 035 | 3 | 7 |
| 76 959 037 | 1 | 7 |
| 76 959 040 | 4 | 8 |
| 76 959 041 | 2 | 8 |
| 76 959 042 | 2 | 8 |
| 76 959 044 | 2 | 8 |
| 76 959 045 | 2 | 8 |
| 76 959 046 | 1 | 8 |
| 76 959 047 | 1 | 8 |
| 76 959 048 | 2 | 8 |
| 76 959 049 | 1 | 8 |
| 76 959 050 | 1 | 8 |

| Bestell-Nr. Order-No. No. de Cde Ref.-Nr. | Menge Quantity Nombres Cantidad | Seite Page Page Pagina |
|--|--|---------------------------------|
| 76 959 051 | 2 | 8 |
| 76 959 052 | 1 | 8 |
| 76 959 053 | 1 | 8 |
| 76 959 054 | 1 | 8 |
| 76 959 056 | 2 | 8 |
| 76 959 057 | 1 | 8 |
| 76 959 058 | 1 | 8 |
| 76 959 059 | 1 | 8 |
| 76 959 060 | 1 | 8 |
| 76 959 061 | 1 | 8 |
| 76 959 062 | 1 | 8 |
| 76 959 064 | 1 | 8 |
| 76 959 065 | 1 | 8 |
| 76 959 066 | 1 | 8 |
| 76 959 067 | 1 | 8 |
| 76 959 076 | 4 | 8 |
| 76 959 077 | 1 | 8 |
| 76 959 087 | 2 | 8 |
| 76 959 088 | 2 | 8 |
| 76 959 092 | 2 | 8 |
| 76 959 093 | 2 | 8 |
| 76 959 094 | 2 | 8 |
| 76 959 095 | 2 | 8 |
| 76 959 096 | 2 | 8 |
| 76 959 203 | 4 | 8 |
| 76 959 204 | 2 | 7 |
| 76 959 205 | 2 | 7 |
| 76 959 206 | 4 | 8 |
| 76 959 210 | 2 | 7 |
| 76 959 211 | 2 | 7 |
| 76 959 211 | 6 | 10 |
| 76 959 214 | 4 | 7 |
| 76 959 214 | 1 | 8 |
| 76 959 215 | 1 | 7 |
| 76 959 215 | 2 | 10 |
| 76 959 216 | 4 | 7 |
| 76 959 216 | 1 | 8 |
| 76 959 217 | 3 | 7 |
| 76 959 217 | 1 | 8 |
| 76 959 217 | 14 | 10 |
| 76 959 219 | 6 | 10 |
| 76 959 224 | 4 | 10 |
| 76 959 228 | 14 | 8 |
| 76 959 230 | 4 | 7 |
| 76 959 4560 | 2 | 8 |
| 76 959 4950 | 2 | 8 |
| 76 968 001 | 1 | 10 |
| 76 968 011 | 1 | 10 |
| 76 968 012 | 2 | 10 |

D

Allgemeine Richtlinien für die Bestellung von Original SOLO Ersatzteilen:

Voraussetzung für eine reibungslose Erledigung sind folgende Angaben:

1. Ersatzteil-Bestellnummer
2. Gewünschte Anzahl
3. Typenbezeichnung des Geräts

Diese Ersatzteilliste ist für die Lieferung und Ausstattung von SOLO Erzeugnissen unverbindlich. Im Interesse der technischen Weiterentwicklung bleiben Konstruktionsänderungen vorbehalten.

GB

General Directions for Ordering Original SOLO Spare Parts:

For correct and diligent processing of your order, please give the following information:

1. Spare Part number
2. Quantity
3. Model and serial number
4. Shipping instructions

Delivery is made in accordance with our general sales and delivery conditions. This spare parts list is non-committal for us with regard to delivery and layout of SOLO products. In favour of technical improvements, design modifications are subject to change without notice.

F

Directives générales pour les commandes de pièces de rechange d'origine SOLO:

Il est indispensable de préciser dans toutes les commandes de pièces:

1. le numéro de référence de la pièce
2. la quantité
3. le type de la machine
4. le mode d'expédition

Les livraisons sont effectuées dans le cadre de nos conditions générales de vente. Toutes modifications réservées.

E

Directivas Generales de pedido de la firma SOLO:

Por adelantado de un arreglo sin dificultades necesitamos siguientes indicaciones:

1. Número de repuesto
2. Numero de cantidad
3. Modelo y número de serial
4. Instrucción de Envío

Esta lista de repuestos no es obligatoria para los envíos y/o forma de equipo de los productos SOLO. En el interés del constante desarrollo debemos reservarnos el derecho de cambios.